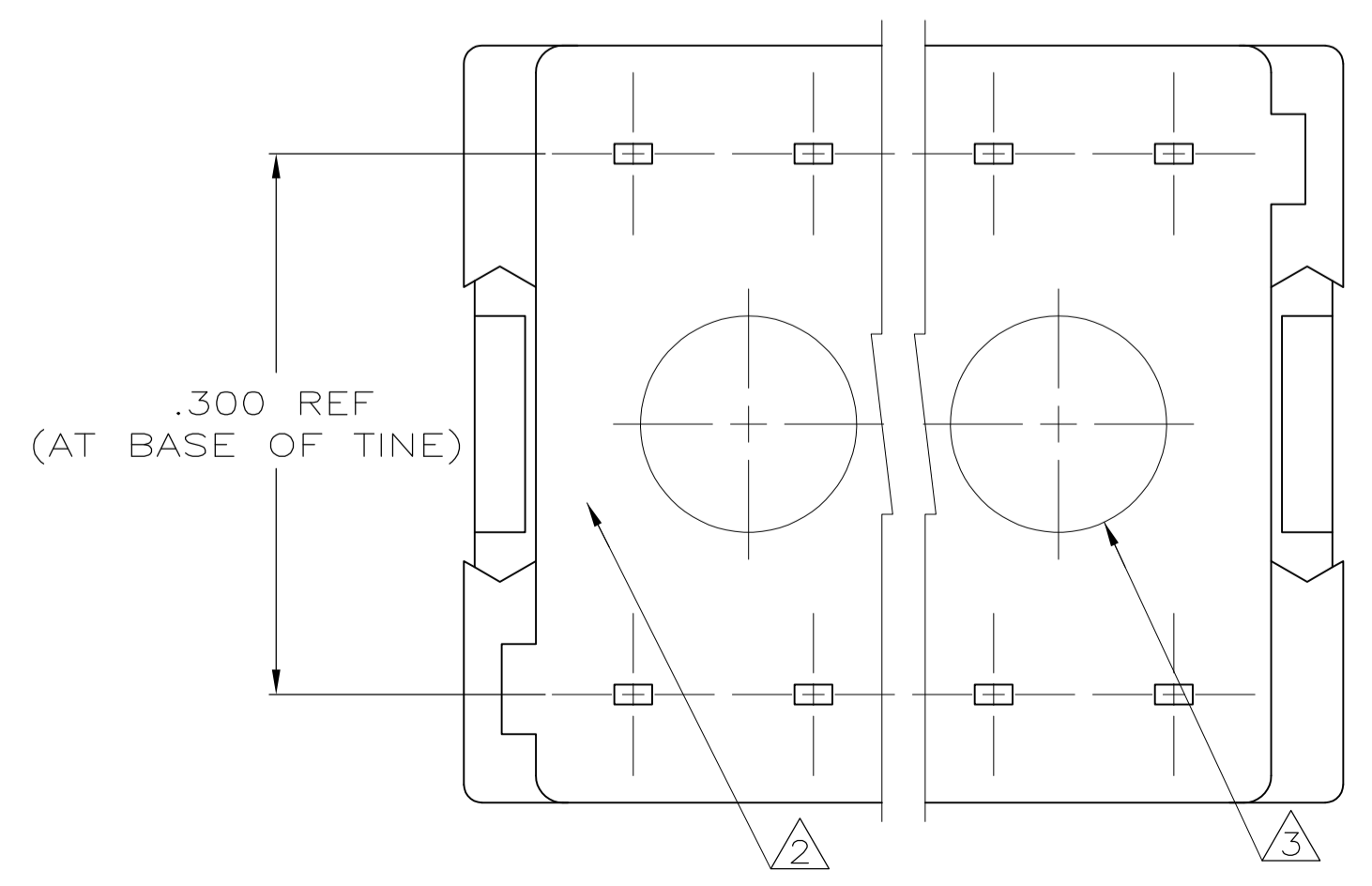
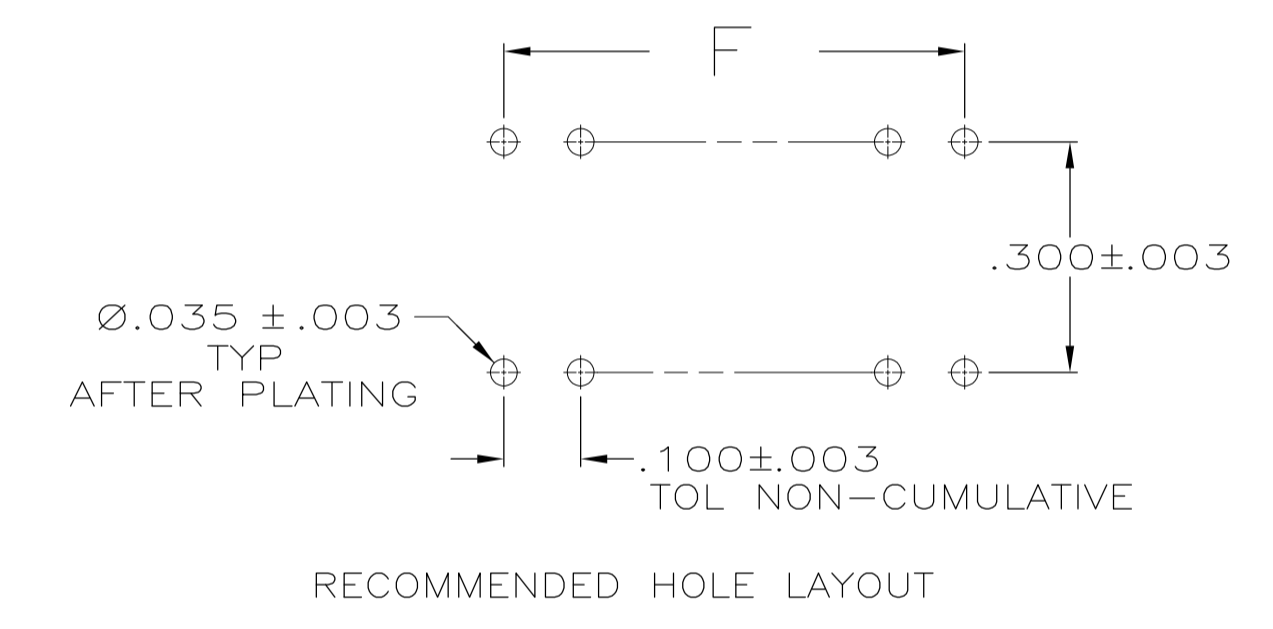
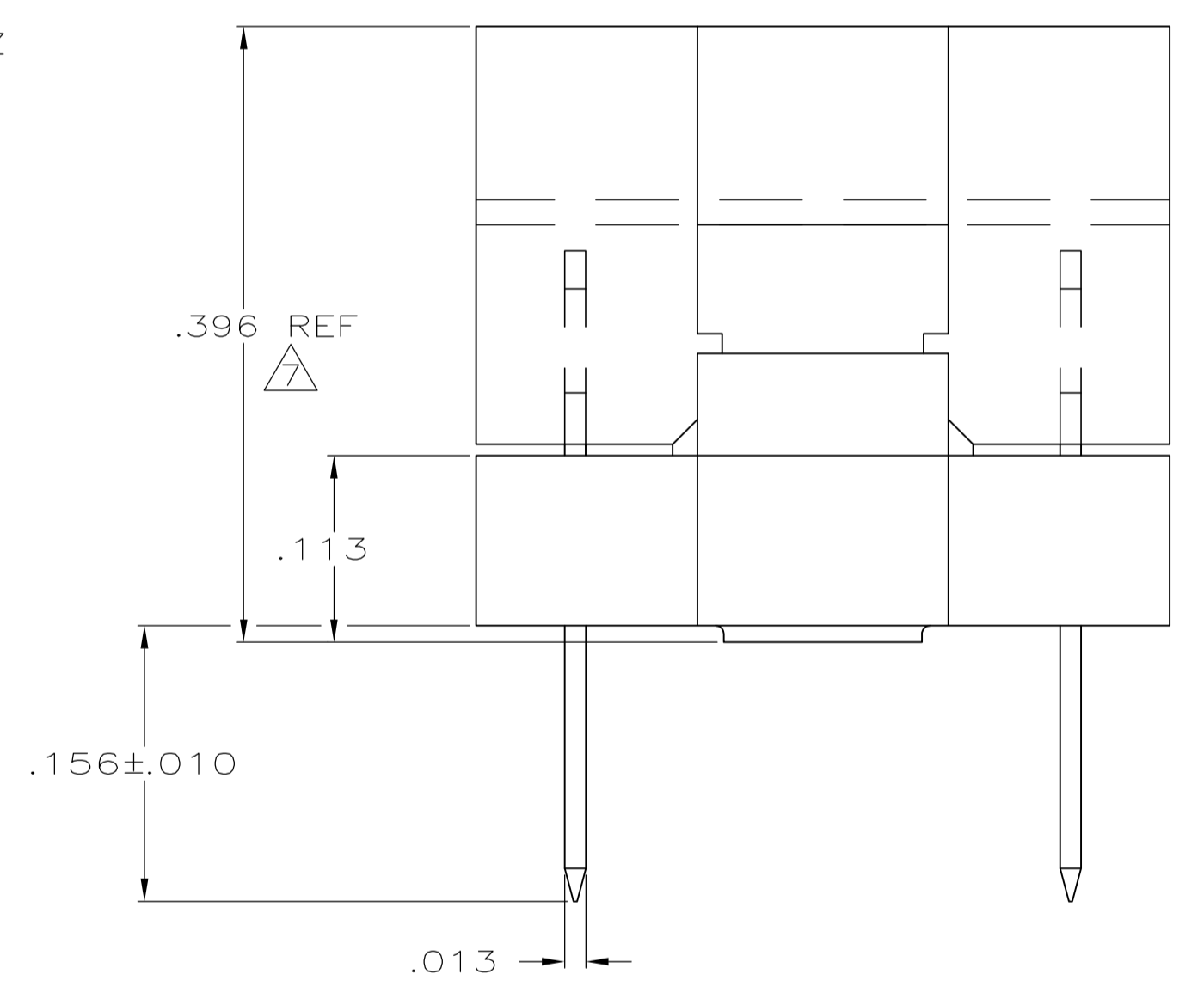
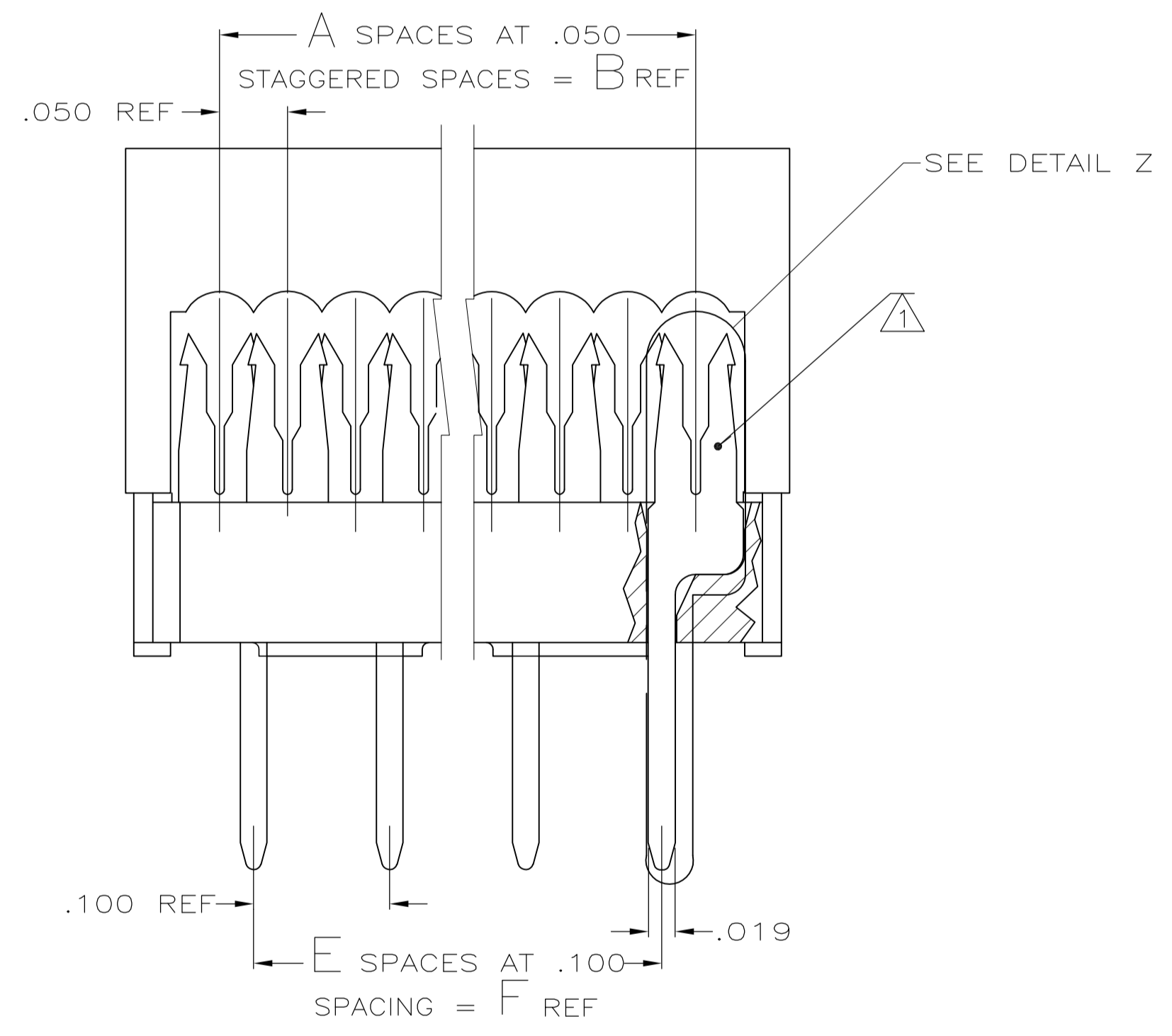


- ① CONTACTS DESIGNED FOR 26 & 28 AWG STRANDED OR 26, 28 & 30 AWG SOLID WIRE.
- ② AMP TRADEMARK LOCATED IN APPROX AREA SHOWN.
- ③ STANDOFFS: POSN 8 (2) STANDOFFS AS SHOWN. POSN 14-20 (3) STANDOFFS, (1) CENTERED BETWEEN (2) SHOWN
- ④ PLATED WITH .000100 - .000200 BRIGHT TIN LEAD OVER .000050 NICKEL.
- ⑤ PLATED WITH .000030 GOLD OVER .000050 NICKEL.
- ⑥ GOLD FLASH OVER .000050 NICKEL.
- ⑦ HEIGHT AFTER TERMINATION IS .253 REF.
- ⑧ INDICATES NO 1 POSITION.
- ⑨ PLATED WITH .000005 MIN GOLD IN IDC AREA OVER .000050 MIN NICKEL.
- ⑩ MOLDED PARTS: 94V-0 RATED THERMOPLASTIC, COLOR BLACK. CONTACTS: PHOS BRONZE.



|                |   |   |      |      |       |       |      |      |            |            |  |  |  |  |  |  |  |  |  |  |  |  |  |
|----------------|---|---|------|------|-------|-------|------|------|------------|------------|--|--|--|--|--|--|--|--|--|--|--|--|--|
|                |   |   |      |      |       |       |      |      |            |            |  |  |  |  |  |  |  |  |  |  |  |  |  |
| 9              | 5 | 6 | .900 | 9    | 1.088 | .900  | .950 | 19   | 20         | 1-746611-0 |  |  |  |  |  |  |  |  |  |  |  |  |  |
| 9              | 5 | 6 | .800 | 8    | .988  | .800  | .850 | 17   | 18         |            |  |  |  |  |  |  |  |  |  |  |  |  |  |
| 9              | 5 | 6 | .600 | 6    | .788  | .600  | .650 | 13   | 14         |            |  |  |  |  |  |  |  |  |  |  |  |  |  |
| 9              | 5 | 6 | .300 | 3    | .488  | .300  | .350 | 7    | 8          |            |  |  |  |  |  |  |  |  |  |  |  |  |  |
| 9              | 5 | 6 | .700 | 7    | .888  | .700  | .750 | 15   | 16         |            |  |  |  |  |  |  |  |  |  |  |  |  |  |
| OBSOLETE       | 9 | 5 | 6    | .900 | 9     | 1.088 | .900 | .950 | 19         | 20         |  |  |  |  |  |  |  |  |  |  |  |  |  |
| OBSOLETE       | 9 | 5 | 6    | .800 | 8     | .988  | .800 | .850 | 17         | 18         |  |  |  |  |  |  |  |  |  |  |  |  |  |
| OBSOLETE       | 9 | 5 | 6    | .700 | 7     | .888  | .700 | .750 | 15         | 16         |  |  |  |  |  |  |  |  |  |  |  |  |  |
| OBSOLETE       | 9 | 5 | 6    | .600 | 6     | .788  | .600 | .650 | 13         | 14         |  |  |  |  |  |  |  |  |  |  |  |  |  |
| OBSOLETE       | 9 | 5 | 6    | .300 | 3     | .488  | .300 | .350 | 7          | 8          |  |  |  |  |  |  |  |  |  |  |  |  |  |
| CONTACT FINISH |   |   | F    | E    | D     | C     | B    | A    | NO OF POSN | PART NO    |  |  |  |  |  |  |  |  |  |  |  |  |  |

THIS DRAWING IS A CONTROLLED DOCUMENT. DIN L VARELA - DOCKS 11-29-04  
 CJK C. ROHDE 11-29-04  
 APVD M WALMSLEY 11-29-04 NAME

PRODUCT SPEC: KIT, AMP-LATCH DIP PLUG, PREASSEMBLED .100 X .300 CENTERS, 30 GOLD DUPLEX CONTACTS

APPLICATION SPEC: 108-40013  
 114-40005

SIZE: A1  
 CAGE CODE: 746611  
 DRAWING NO: 746611

RESTRICTED TO

SCALE: 10:1  
 SHEET: 1 OF 1  
 REV: M